



TURN RS 4020 10 Pallet

MISSION

Provide robotic systems in manufacturing industry with advanced technologies to achieve excellent quality standards in respect of the most strict regulations on work safety, energy consumption and environmental preservation.

Provide added value in the development of production processes in terms of efficiency in processing, reliability of operations and production costs cutting.

SECTORS

Construction and mining equipment

Railways equipment

Automotive

Sheet metal management

Metal industry

Machining

CLASSIFICATION OF PRODUCT MANUFACTURED

ROBOT TO LOAD AND UNLOAD TOOL MACHINES

ROBOTS FOR HANDLING AND STAKING

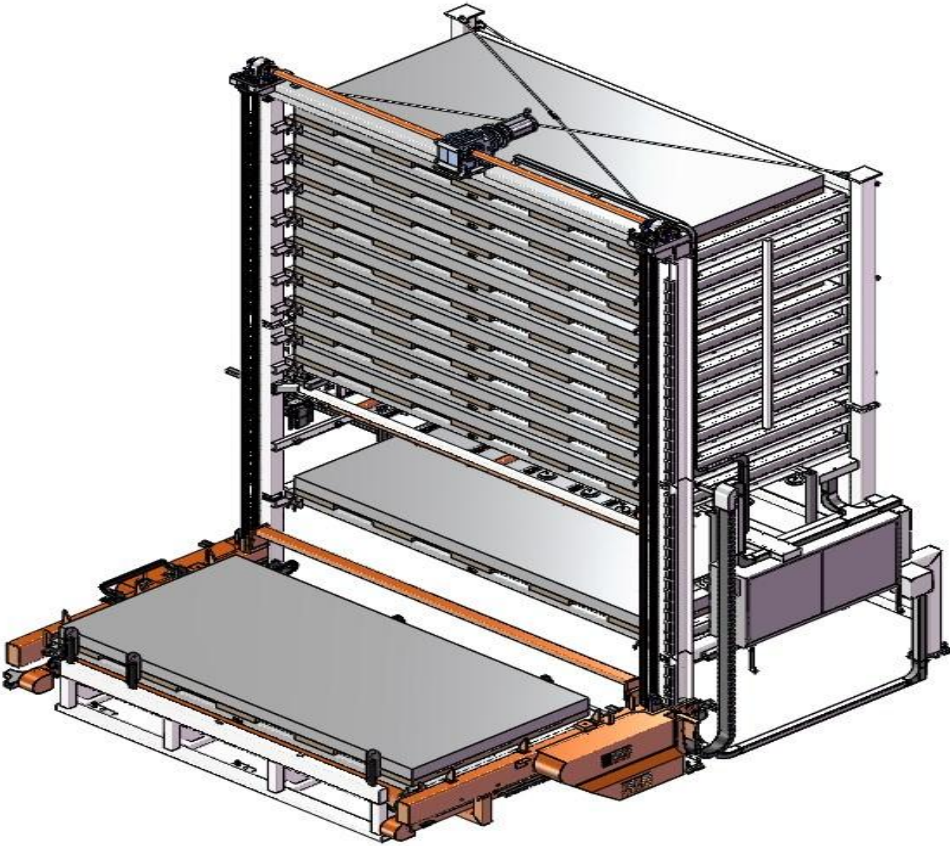
STORAGE SYSTEMS FOR WORKPIECES AND LONG PRODUCTS

CUSTOMIZED TOOL MACHINES

PRODUCTION LINES

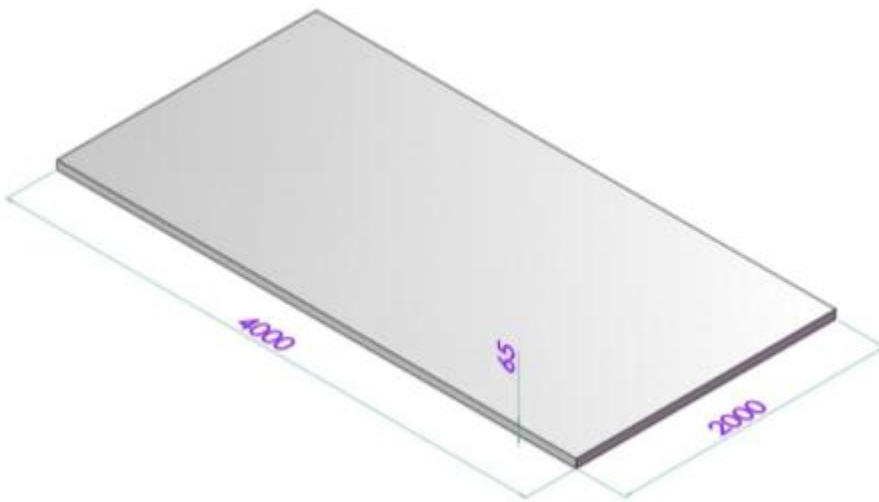
ASSEMBLING LINES

TURN RS 4020 10 Pallet



Description	Rated value
Total weight of the system	15233 Kg * the warehouse is considered exhaust of metal sheets
SIEMENS numerical control	
Overall dimensions	6420 mm × 5600 mm × 5175 (H) mm
Max height of stack of sheet	65 mm
Max weight of stack	4000 Kg

Description	Rated Value	Tolerance
3-phase without neutral + ground		
Electric voltage	400 Volt 3-phase	10 %
Maximum current absorption	32 A	
Frequency	50 Hz	10 %
Maximum power absorption	18 kW	10 %
Short-circuit current	10 kA	



1000 x 1000 x 0.5 mm (min)

4064 x 2032 x 20 mm (max)